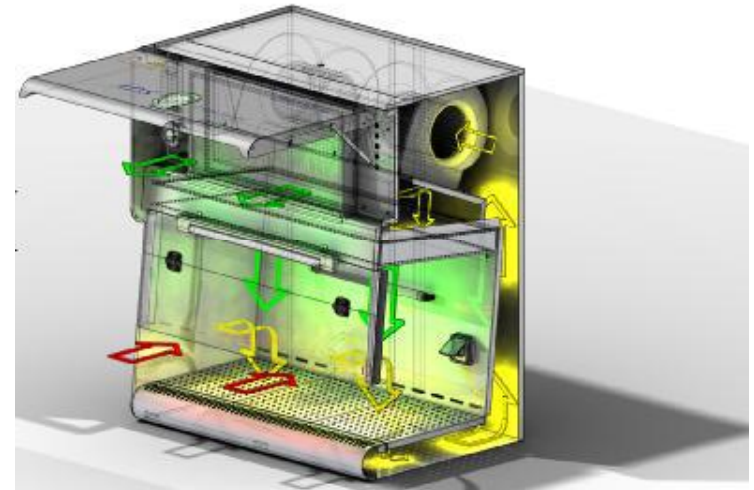
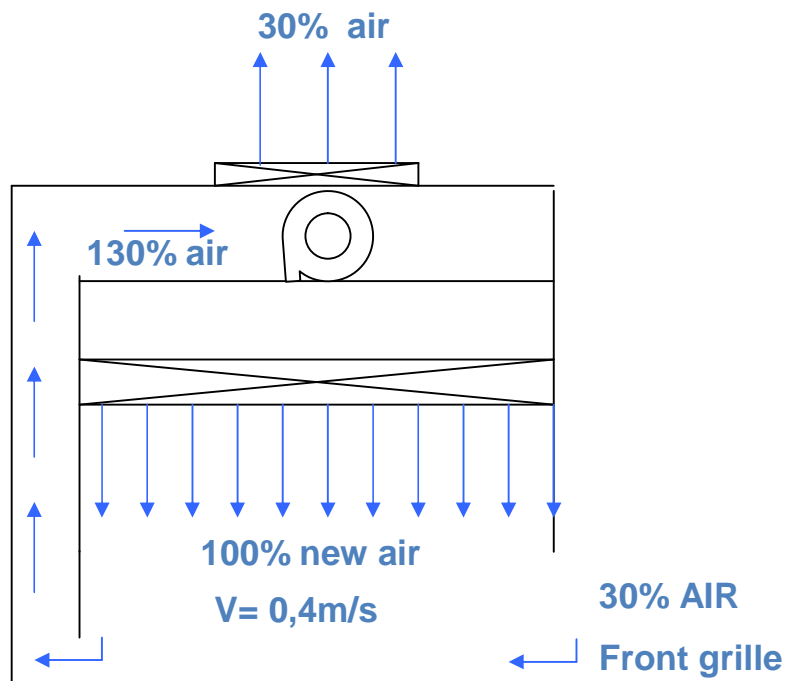


BIO II



BIOSAFETY CABINETS :

It's an open system which permits a full protection of a user, product and environment



Industries using the model:

Biological research
Pharmaceutical industry
Hospital

BIO II



BIO II

→ Product, user and environment protection

Type: biological safety cabinet

Size: 3 and 4 foot (900 and 1200 mm)

Advantages:

Compact : most compact in the world

ECM technology + DC motor

No external gauges

LCD automatic control panel the “flower”

Exhaust Hepa filter at the front

Bench top biological safety cabinet

In process for the NSF certification

Stainless steel counter

UV included

Plenum in negative pressure: security

Competitive price

Access to the supply and exhaust filter in the front: easy maintenance



BIO II TECHNICAL DATA



	BIO II 9 (3 ft)		BIO II 12 (4 ft)	
	EU	USA	EU	USA
Weight	120 Kg	264 lbs	150 Kg	330 lbs
Recycling Airflow	790 m ³ /h	465 cfm	1310 m ³ /h	771 cfm
Extracted Airflow	350 m ³ /h	206 cfm	580 m ³ /h	341 cfm
Internal Length	919 mm	36"	1226 mm	48,2"
External Length	922mm	36,5"	1276 mm	48,4"
Fan Type	DD 9/7 ECM	DD 9/7 ECM	DP 9/9 ECM	DP 9/9 ECM
Blowing HEPA Filter	M4/9	M4/9	M4/12	M4/12
Exhaust HEPA Filter	M3/6/68	M3/6/68	M3/7/68	M3/7/68
Light	900 mm / 30 W	900 mm / 30 W	1200 mm / 36 W	1200 mm / 36 W
	>750 LUX	>750 LUX	>750 LUX	>750 LUX
UV Light	UV 450/G15T8	UV 450/G15T8	UV 900 / G30T8	UV 900 / G30T8
Electrical connection	220 V – 15 A	110V – 15 A	220V – 15 A	110V – 15 A
Noise level	<60 dBA	<60 dBA	<60 dBA	<60 dBA