



ADS Laminaire

Air Dépoussiéré Stérile Laminaire

TECHNICAL FEATURES

Protection of the
Manipulation

MINISPACE

Laminar Flow cabinet
ISO 5

Comply with standard:
ISO 14644



plus de **50**^{ANS}
ADS Laminaire

ADS  **Laminaire**
air dépoussiéré *stérile Laminaire*



Télécharger nos catalogues

Solutions de l'Ultra Propreté

34, rue Maurice de Broglie - 93600 - Aulnay Sous Bois - France

tél : +33 1 48 77 85 10 / Fax : +33 1 48 77 85 71

Web : www.adslaminaire.com / E-mail : info@adslaminaire.com

MINISPACE

FEATURES

PROTECTION OF THE MANIPULATION

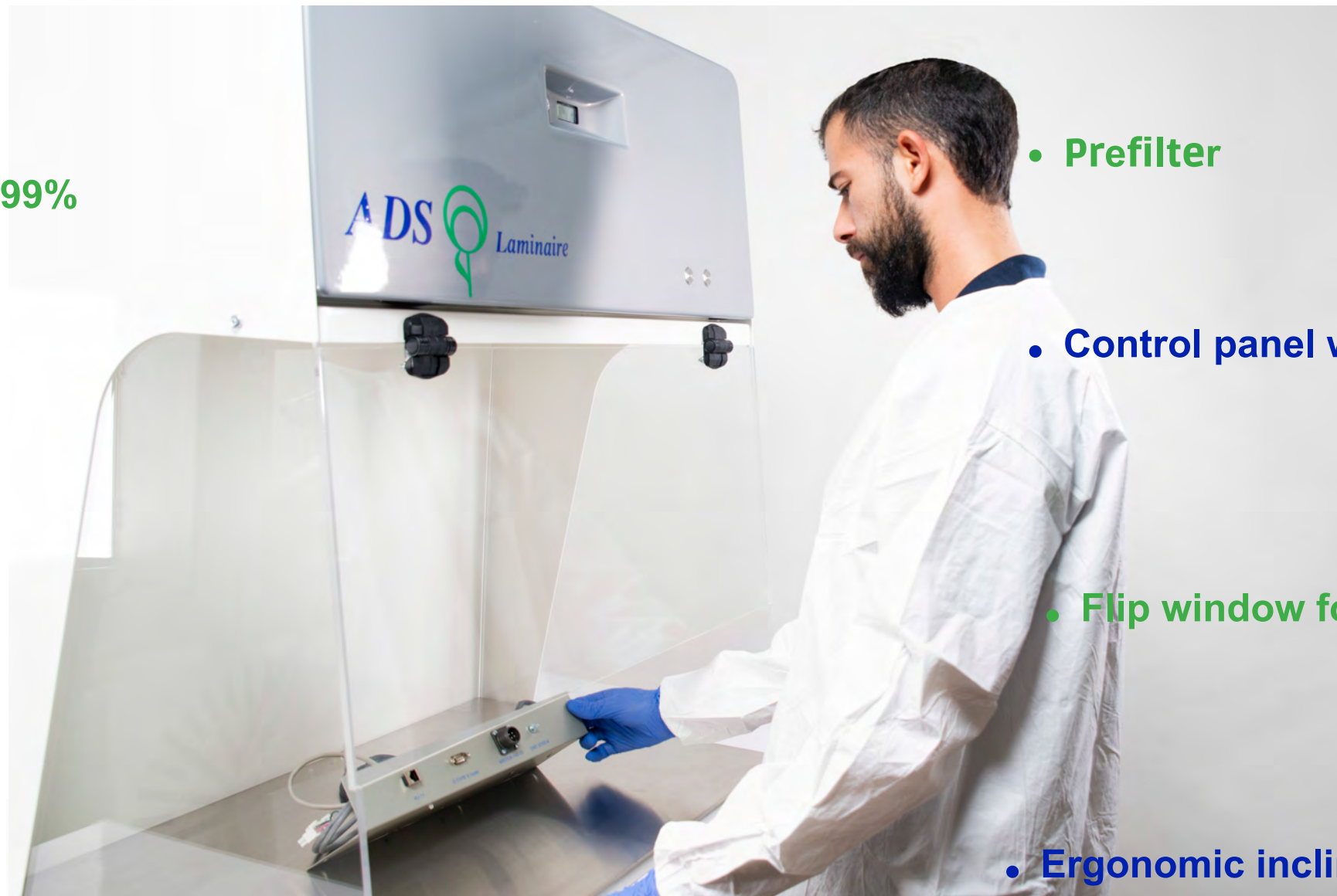
- HEPA filter H14 99.999%

LED lighting

Transparent work area

Stainless steel work surface

- Automatic ECM motor fan



- Prefilter

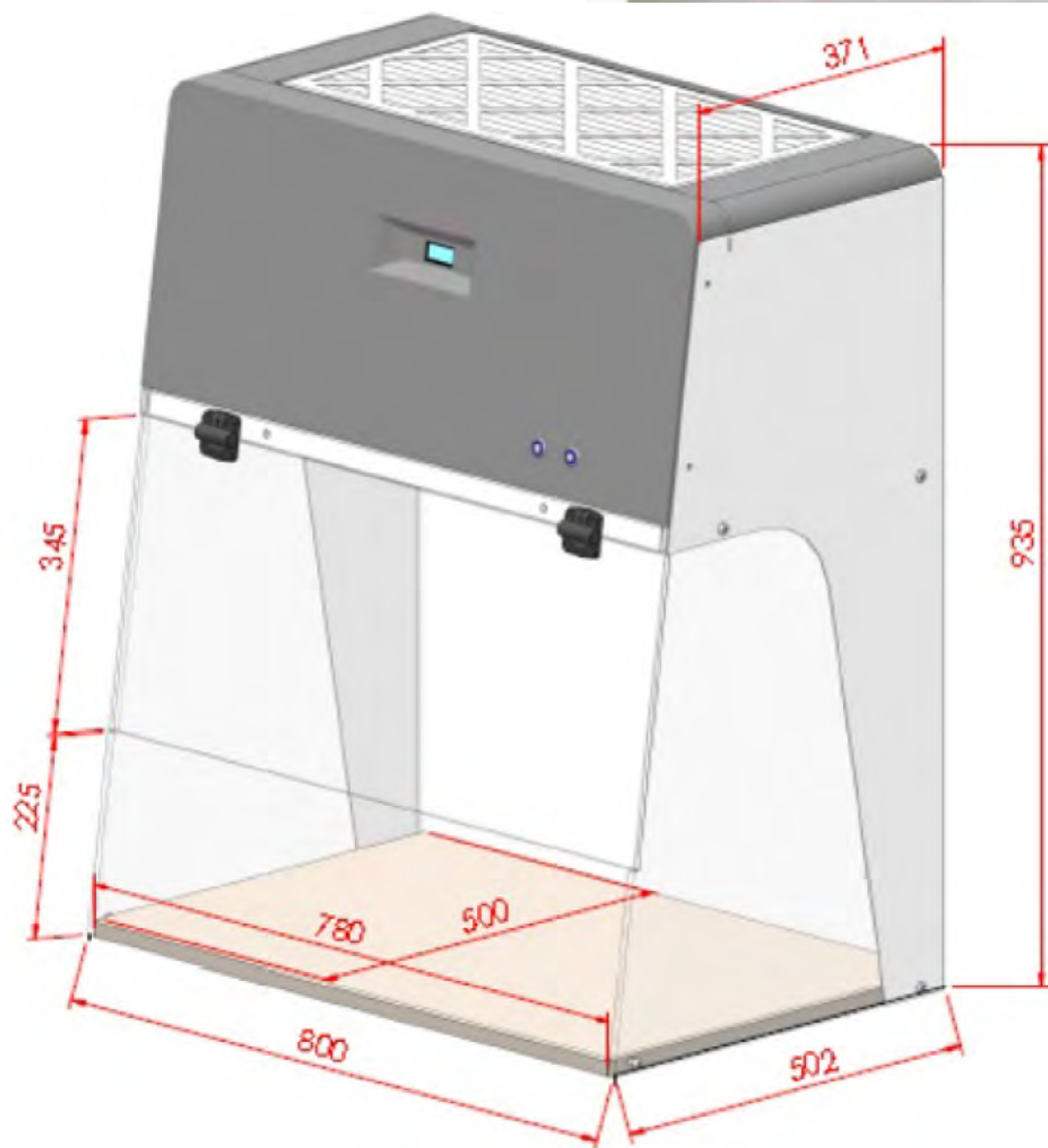
- Control panel with velocity display

- Flip window for total opening

- Ergonomic inclined front window



very low noise level
< 55 dB



ISO Class 5 laminar flow units are intended to protect manipulation through a vertical ultra-clean airflow.

The MINISPACE's blowing and filtration system guarantees work in a sterile environment.

Fully automatic, the MINISPACE has LED lighting and is suitable for all laboratory configurations.

DOCUMENTS

the following documents are delivered :

- certificate of conformity
- warranty certificate
- user's manual

	MINISPACE	
	internal	overall
width(mm)	780	800
height (mm)	internal : 650 – Hors Tout : 935 on stand 1766	
depth (mm)	Utile : 500 – overall : 510	
weight (Kg)	50	

